

CP Power & Automation Ltd

Oracle Series 100W Power Supply & Battery Charger



- ✓ Universal Input, Power Factor Corrected, AC - DC Switch Mode PSU.
- ✓ Operable in Mains-Free Standby Mode.
- ✓ Boost & Cyclic Charge Modes.

- ✓ 12 or 24V Models.

- ✓ Interchangeable Din Rail, Panel Mounting.
- ✓ Up to 5 LED/VFR Contact Alarm Outputs.
- ✓ PCB Conformal Coating Available.

- ✓ Overload & Short Circuit Protection.
- ✓ Current Limit & Polarity Protection.
- ✓ Overvoltage Protection (Main equipment and battery).
- ✓ Undervoltage Lockout Protection.

- ✓ CE & EMC Compliant.
- ✓ EN60950 Compliant.

General Features.

Built on Success:

The latest models in the growing range of Oracle Power Supplies build on the advances of other units in the successful Oracle range
Both 12 & 24V feature a range of output powers and Din or Panel mounting options.

Intelligent Design:

Built to fit into almost any space, each unit features "Klippon" quick release input and output connections but retains the option for custom fittings to suit individual needs.
Integral and efficient heat dissipation properties have removed the need for secondary cooling, increasing reliability and reducing costs.

Built-in protection circuitry guards against: *short circuit overloads, current limits, reverse polarity, over & undervoltages, battery disconnection and low battery conditions.*

Automatic post fault recovery ensures that your systems is back up and running if an unprecedented fault should occur.

Status Monitoring:

LEDs are provided for local monitoring of system status.

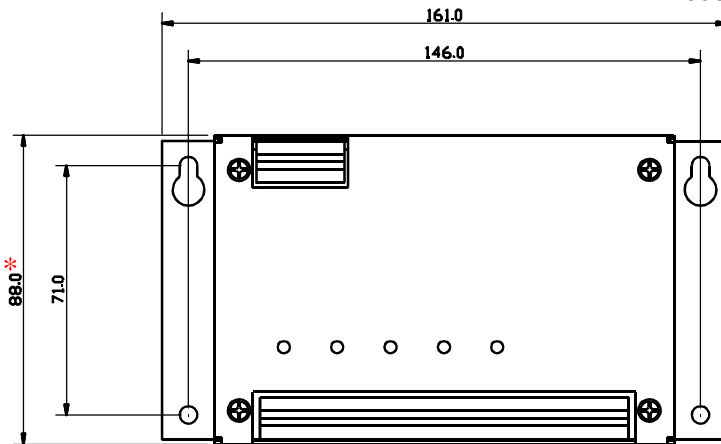
2 isolated and assignable VFR relay contacts offer remote monitoring via your existing telemetry equipment.

As with all our products, custom specifications can be engineered upon request.

	12V UNIT	24V UNIT
DC Output Voltages V01 Main O/P V02 Battery Charge O/P @ 20°C 5mA float current. Temp compensated float voltage.	14.3V +/- 50mV 13.7V +/- 100mV	28.6V +/- 100mV 27.4V +/- 200mV
DC Output Current V01 V02	6A 1A	2.5A 1A
Line Regulation (full load) Load regulation V01 (over range 0 - 3.3A) V02 (over range 0 - 1A)	<0.5% 50mV Max 1.5V Typical	<0.5% 50mV Max 1.5V Typical
Output Ripple and Noise PSU loaded to 60W @ 240Vrms over a bandwidth of 0 - 30MHz Noise/Ripple (peak-peak all outputs)	<100mV	<100mV
Standby Operation	6A Nom.	3A Nom.
Overload Protection V01 (Primary power limit) V02 (Constant current limit) Over voltage Protection V01 Voltages exceeding V02 Voltages exceeding	120-150% Max 1A +/- 200mA dc 16V 16V	120%-150% Max 1A +/- 200mA dc 32V 32V
Volt free relay contacts/LEDs VFR O/Ps LEDs	PSU Present, Battery Present PSU Present, Battery Present, I/P Volt Fault, Charger Fault, Battery Low	

EMC	EN50081-1 Emissions EN50082-2 Immunity EN61000-4-2 ESD EN61000-4-3 Radiated Electro Interference EN61000-4-4 Fast Bursts
Susceptibility	
Environmental Ambient Operating Temp De-rating @ 2.5% per °C Storage Temperature	-20°C to +50°C (No De-rating) +50°C to 70°C ambient -30°C to +85°C
Connectors Input Output Signals	5 way, 5.08mm 90° Klippon 6 way, 5.08mm 90° Klippon 15 way, 5.08mm Klippon
Input Voltage Input Frequency Input Current	90V - 260V AC rms 47 - 63Hz 1.7A rms typ @ 110V 0.75A rms typ @ 230V
Input Fusing PCB Mounted fuse	T4A, 250V AC HRC UL/CSA Approved - non-user replaceable.
Inrush Current	Max ltd to <65A peak Cold start 20°C ambient - 265V AC
Efficiency	12V UNIT >75% under all loads line and environmental conditions 24V UNIT >82%
Battery Input Battery Fusing	Protected by reverse parallel diode & fuse 12V UNIT T10A 24V UNIT T4A

Model Numbers: 14671-000 24v Unit
14674-000 12v Unit



Combination Diagram:

Both Panel and Din Rail Mounting Formats are shown.

Main dimensions* of each enclosure are the same.

